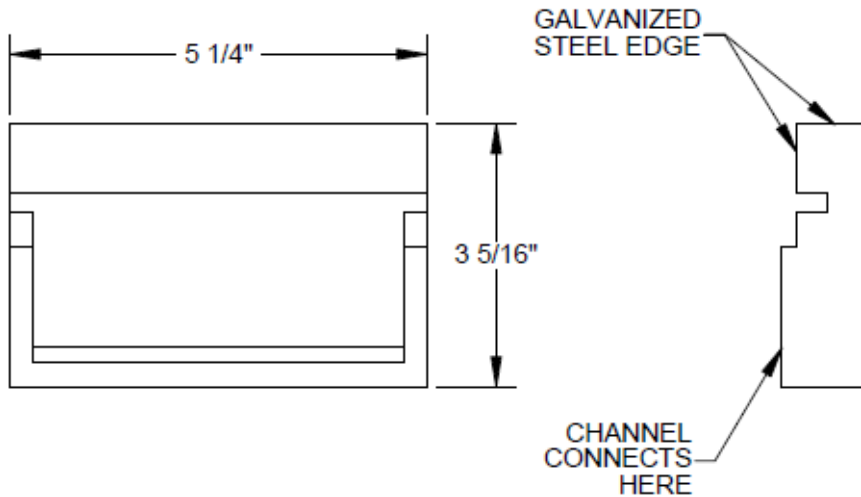
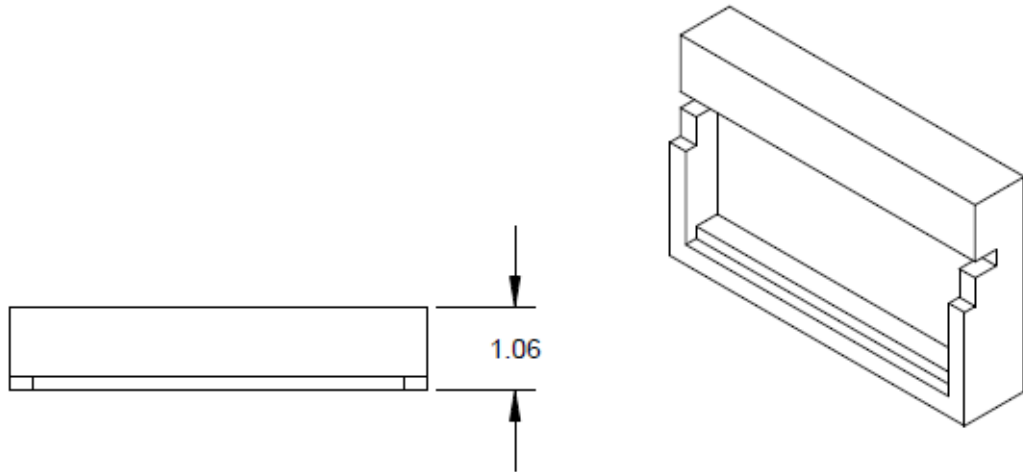



<p>Number</p> <p style="text-align: center;">155585</p>	<p>Series</p> <p style="text-align: center;">CPS754 End Cap for Channel End</p>
---	---



<p>Manufacturer</p> <div style="border: 1px solid black; padding: 5px; text-align: center;">  </div> <p>Quality engineered trench drain system</p>	<p>Specification</p> <p>MEA END CAP FOR CHANNEL END OF LS 1000 TRENCH DRAIN. CONSTRUCTED OF POLYMER CONCRETE. TOP EDGE IS PROTECTED WITH GALVANIZED STEEL. SUPPLIED BY TRENCH DRAIN SUPPLY.</p>
--	--

DISCLAIMER - The customer and the customer's architects, engineers, consultants, and other professionals are completely responsible for the selection installation and maintenance of any product purchased from Trench Drain Supply and/or its manufacturers. TRENCH DRAIN SUPPLY MAKES NO WARRANTY, EXPRESS OR IMPLIED, AS TO THE SUITABILITY, DESIGN, MERCHANTABILITY, OR FITNESS OF THE PRODUCT FOR CUSTOMERS APPLICATION. The drawing and information provided remain the property and copyright of the manufacturer listed. The manufacturer reserves the right to modify specification without notice.